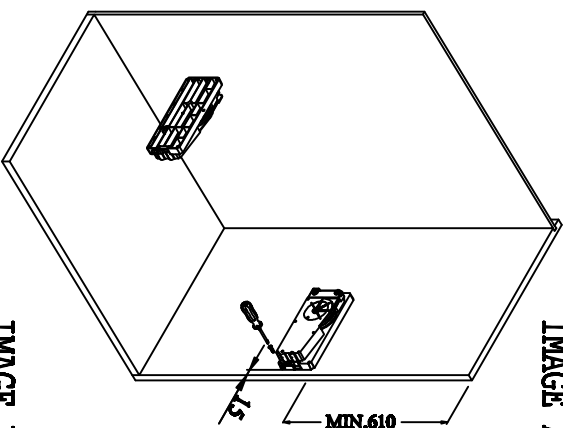


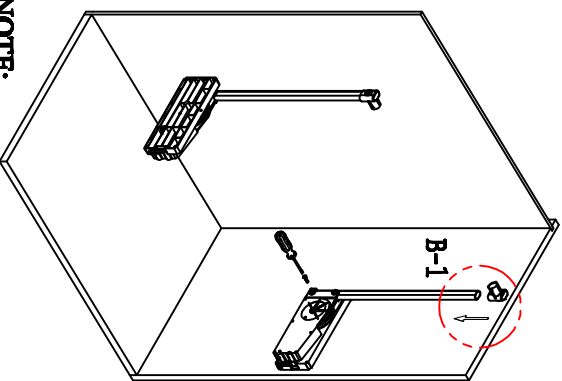
# LIFT FOR WARDROBE MOUNTING INSTRUCTION

IMAGE A



1- Fix to lift frame to the right and left module. 15 mm from front and min. 610 mm from top (IMAGE A).

IMAGE B



2- Fix to oval profile on arm channel with M6x300 screw (IMAGE B).

3- Fit to side tube caps on oval profile (B-1).

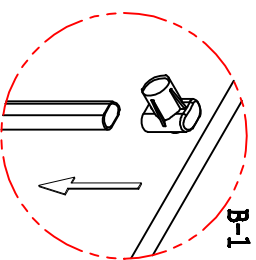
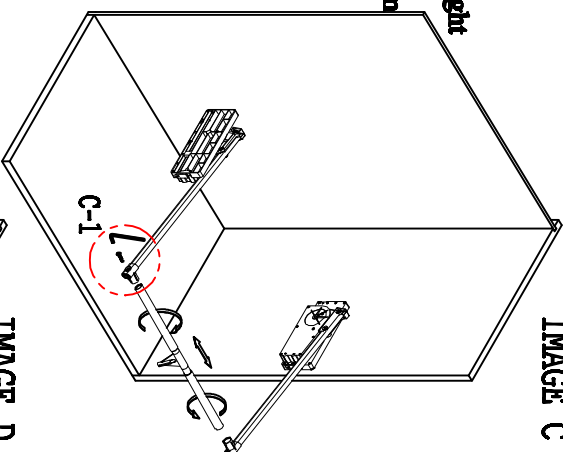
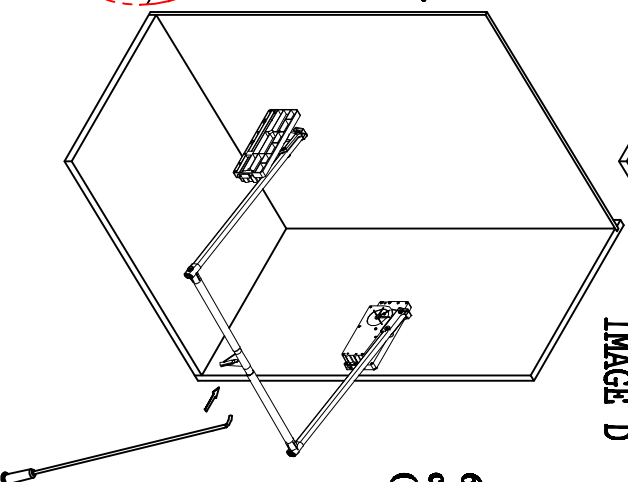


IMAGE C



4- Pull to oval profile front. Pull to front oval profile (IMAGE C).

IMAGE D



6- Fit to pulling arm on T items channel upon telescopic tube (IMAGE D).

5- Then, combine telescopic middle tube to pulling tube with caps by screwing (C-1).

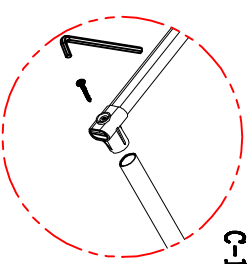
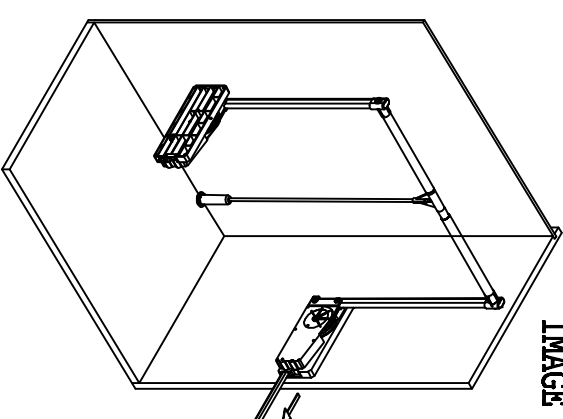


IMAGE E



7- Then you make right pulling arm and mechanism (IMAGE E).

You must check work of mechanism.

**NOTE:**

Lift for wardrobe loading capacity is 10 kg. Works light must be min. 80 cm max. 115 cm.



MOUNTING PARTS		
ND	PART NAME	PCS.
1	LIFT FRAME	2
2	OVAL PROFILE	2
3	SLIDE TUBE COVER	2
4	TELESCOPIC MIDDLE TUBE	1
5	PLASTIK T PART	1
6	PULLING ARM	1
7	CHIPBOARD SCREW 3.5x35	12
8	CHIPBOARD SCREW Ø8x65	2
9	BOLD M6x30	4
10	ALLEN KEY 4 mm	1